

# Tank

hard



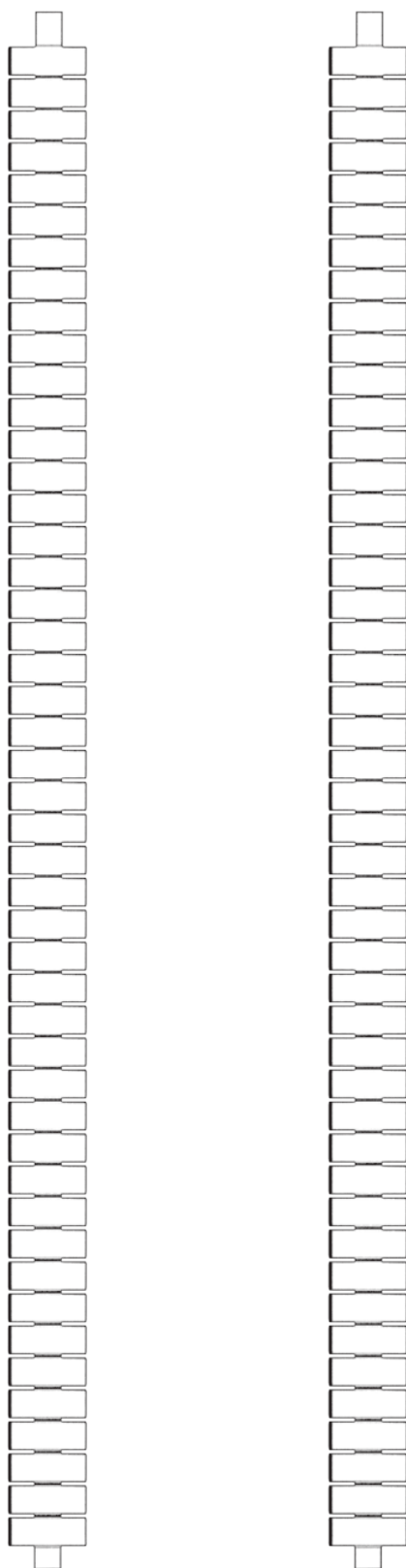
Design by Mirek Helfer

[www.3dsimo.com](http://www.3dsimo.com)

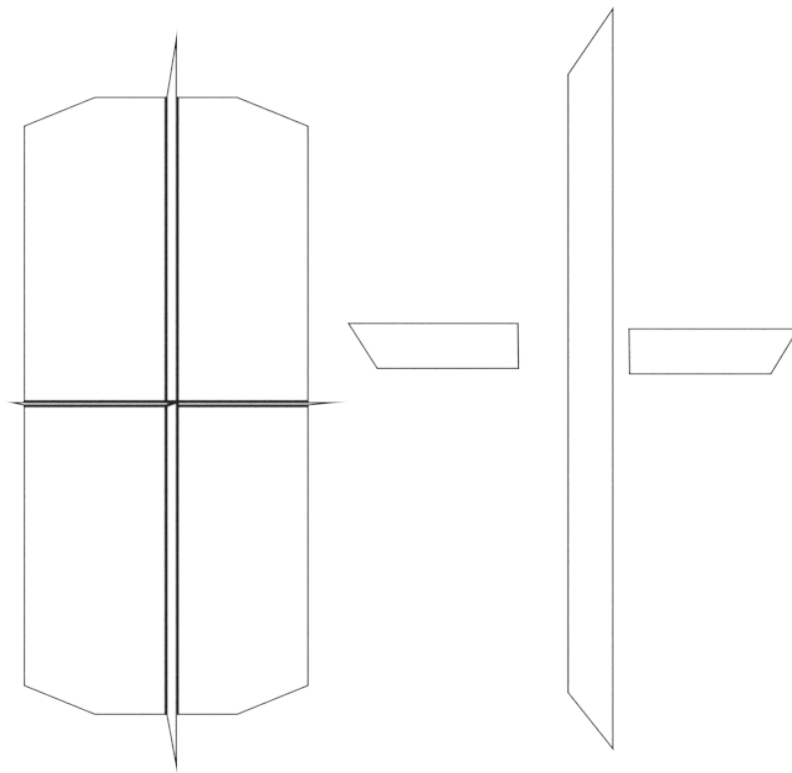
Colors



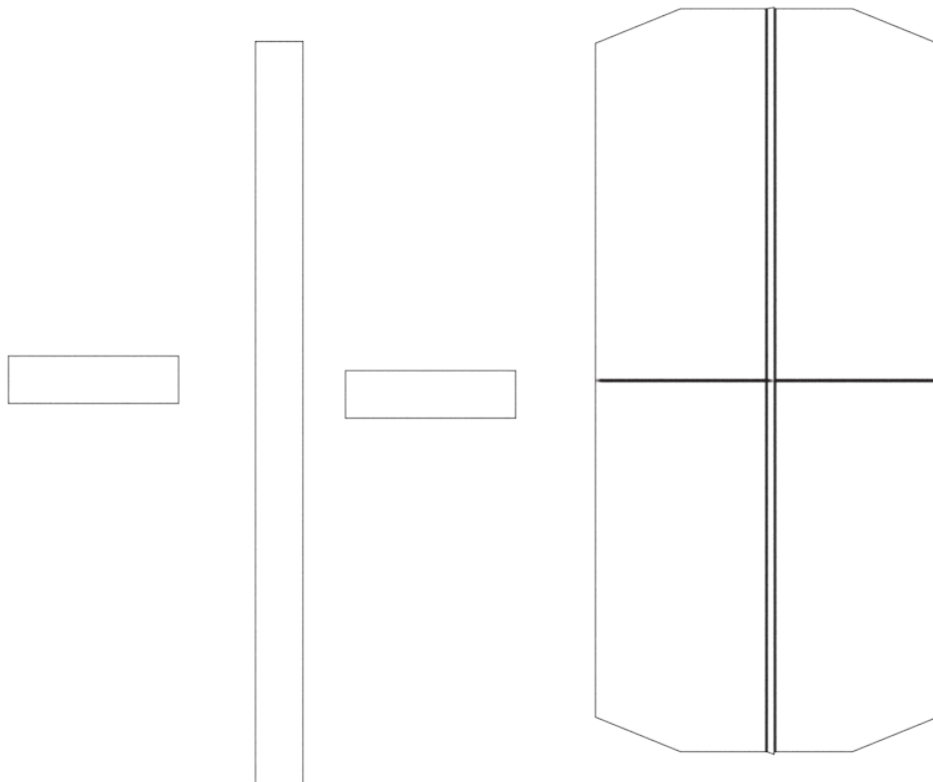
part: tracks  
from Flexi material



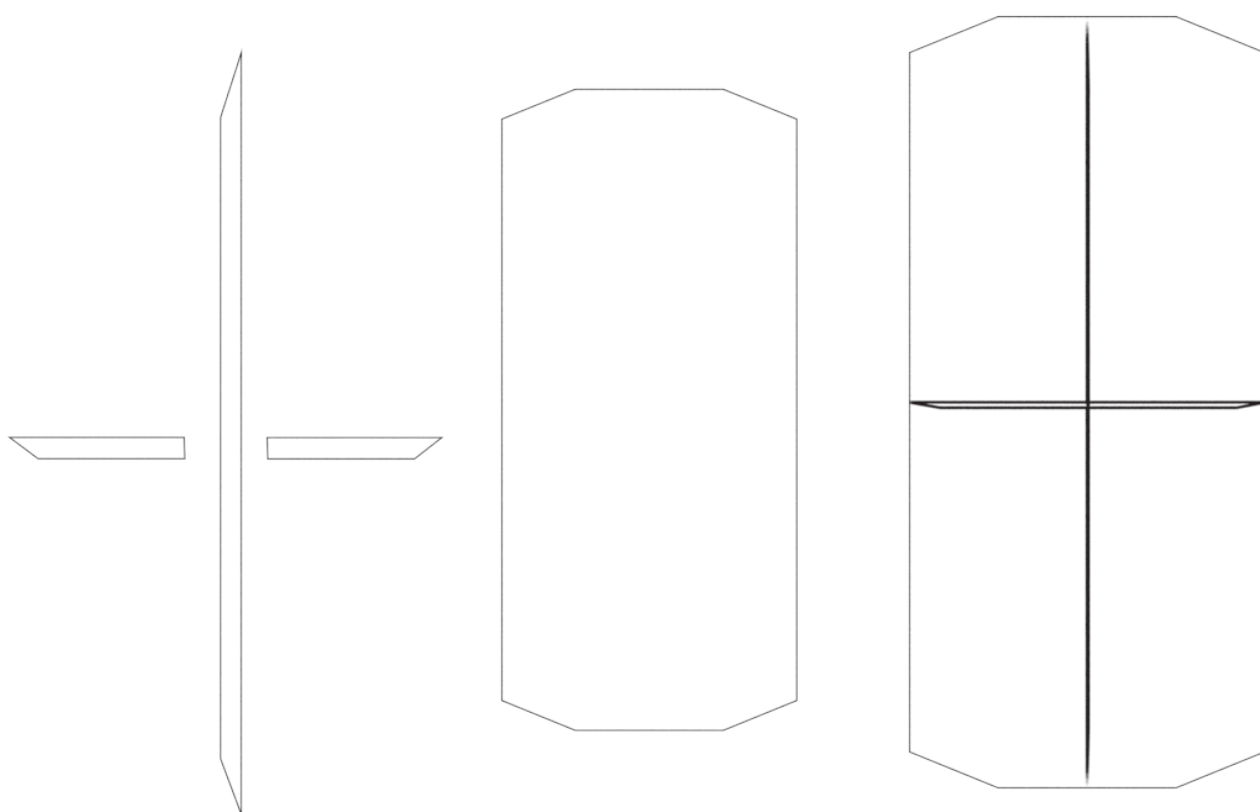
part: A



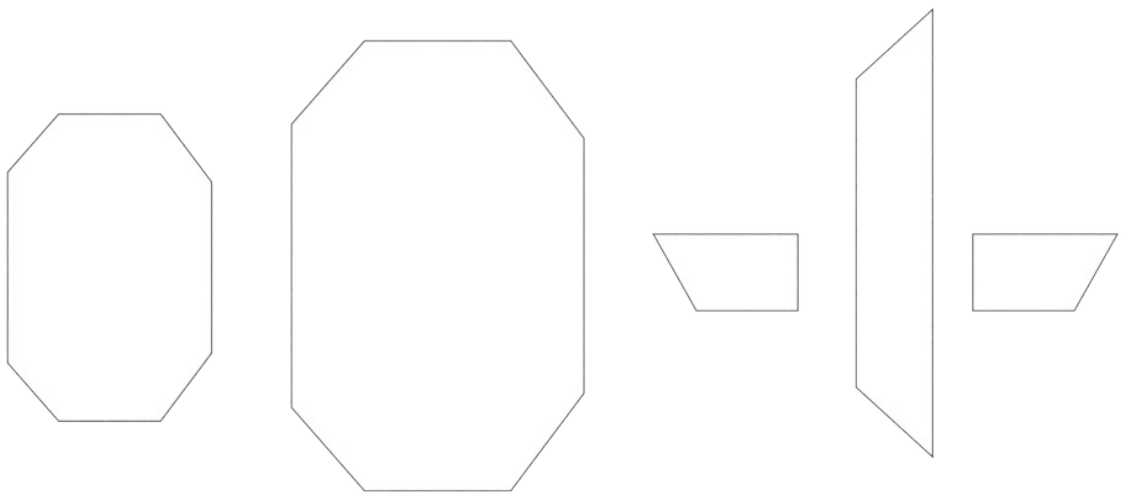
part: B



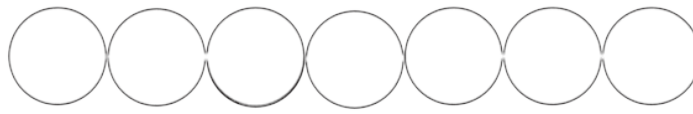
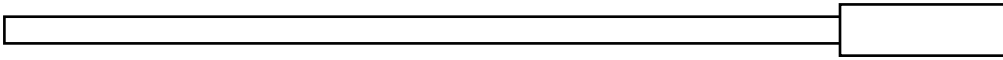
part: C



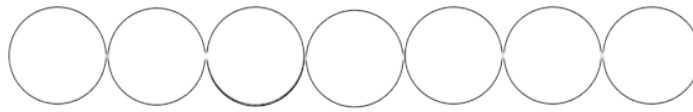
part: D



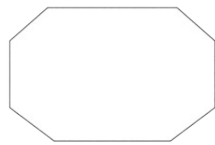
part: part of the tank cannon



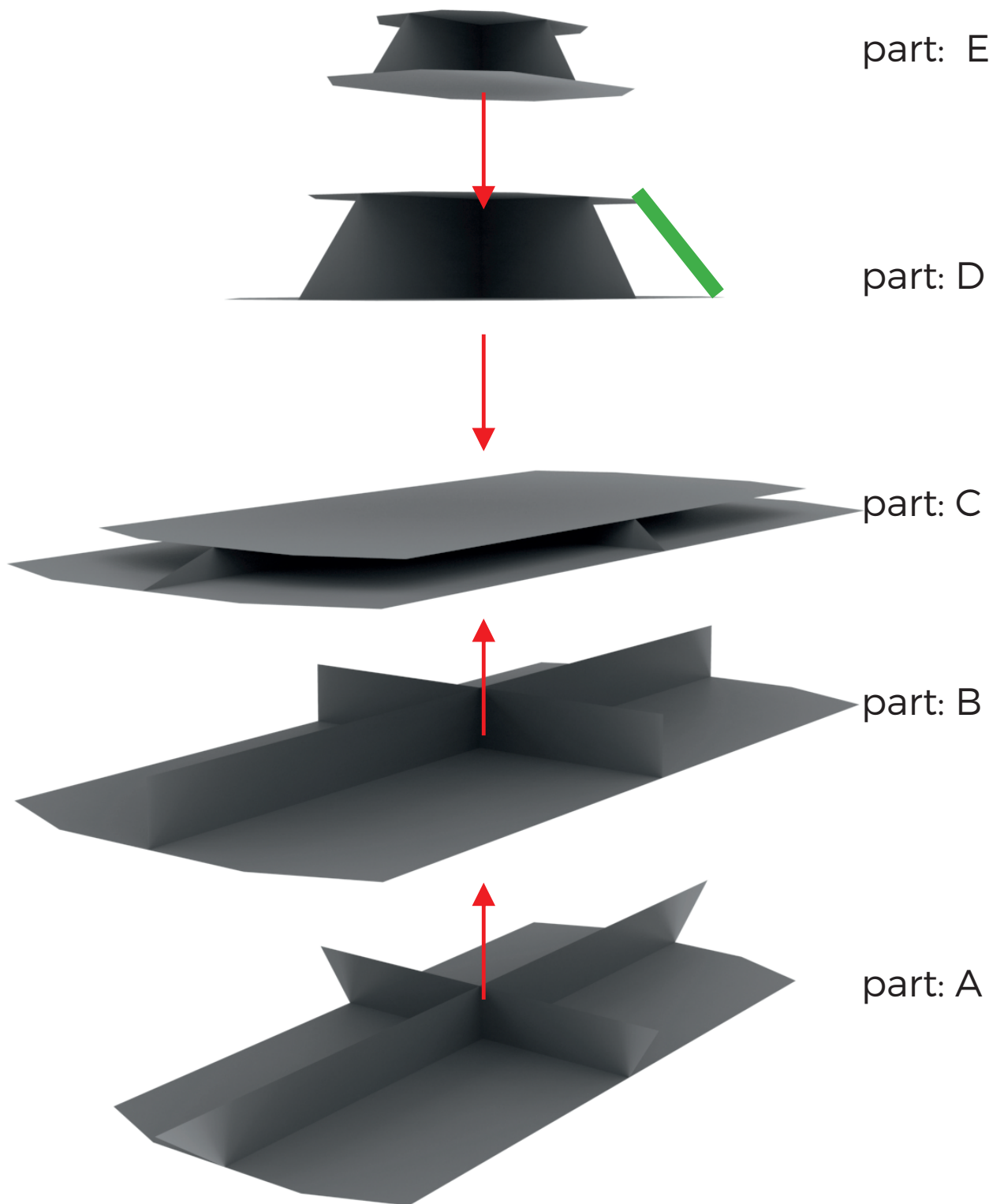
part: part of the tracks whell



part: E



- composition basic shape
- Complete model of joint sur faes.





part: part of the tracks wheel

